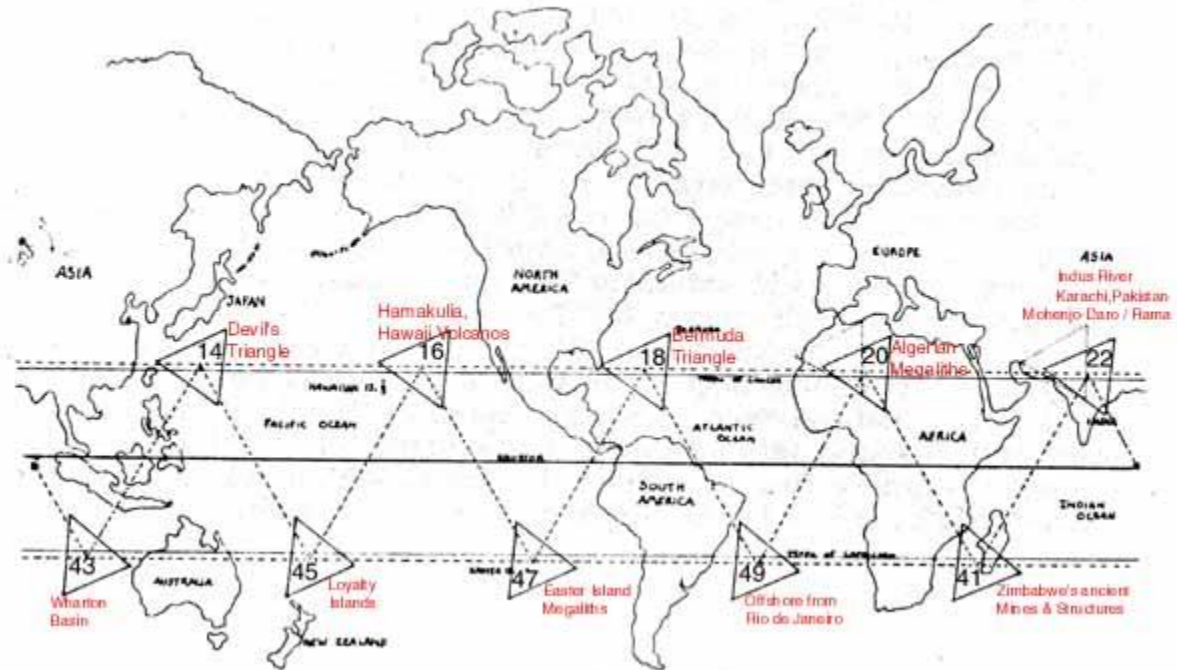


Portals, Vortices and Wormholes - Part 1

David M. Rountree, AES

I have long suspected that there are fixed doorways or "portals" in certain areas that may allow energy and even possibly entities to travel from their domain into our universe. These entities may be what we perceive to be as spirits, demons, extraterrestrials, or it could be something we have never even imagined.

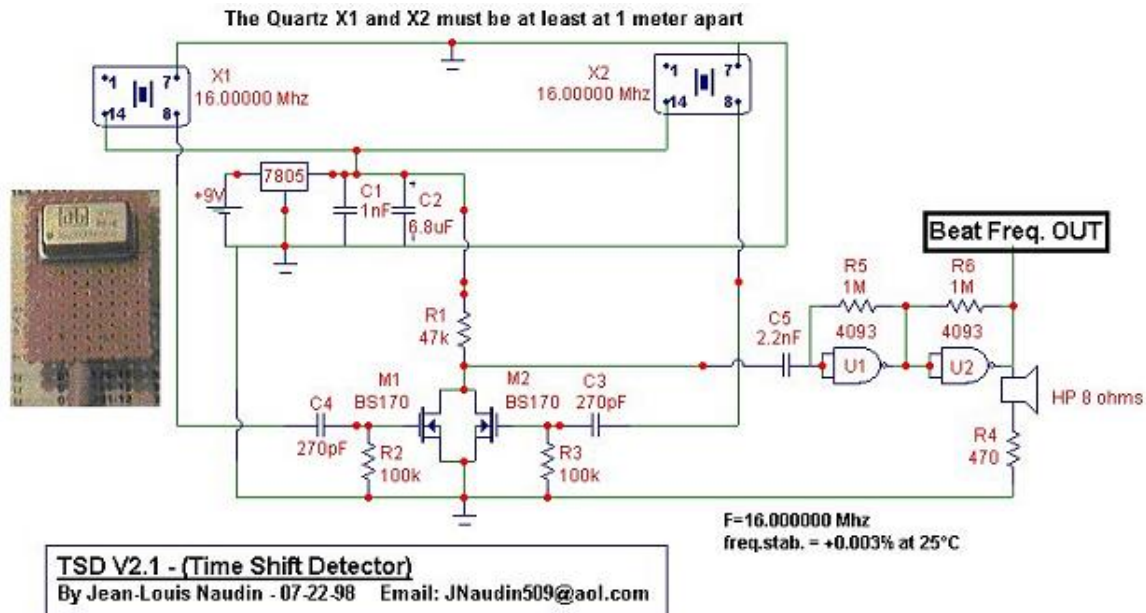
10 Vile Vortices around the World



Repetitive phenomena that persist over long spans of time are likely to be related to portals, as opposed to sites that have been the location of an isolated or otherwise unconnected violent death or tragic accident to which the phenomena can be easy to trace historically. Evidence seems to indicate that many portals are at fixed places all over the world, and that they remain constant. Controlled experiments performed around some of these suspected portals have shown that there are definite unexplained temperature fluctuations, increased low frequency spontaneous EMF readings, increases in negative and or positive ion counts (in some cases like pulses or waves), transient spikes in alpha, beta and gamma radiation, increased background static electricity, and increased electrical as well as magnetic fields. A case in point, I recently I ran a time shift detector at a Leni Lenape burial mound located near my home that has been associated with

paranormal activity and believed by many local residents to be a portal or “gateway of the damned”. I recorded 14 time shifts over a ten minute period.

This time shift detector is based on an interpretive design by Jean-Louis Naudin, as depicted in the schematic below.



I added my own twist to the circuit by attaching piezoelectric coolers to each oscillator to further stabilize temperature drift.

Photographs taken at many of these alleged portals have on occasion revealed mists, orbs, light streaks, figures, and even UFO activity. Many of these fixed portals are associated with the vile vortices areas of the world, as well as some Native American burial grounds, and other indigenous burial grounds around the world. Apparently, the tribal cultures had a way of identifying portal areas, allowing them to locate their sacred sites in a place where they would have the highest level of success in communicating beyond the veil. Those of you who are old enough to remember the works of Ivan Sanderson will know what I mean, as he came up with the “Vile Vortices” theory after reviewing the data of ship sinking's and aircraft disappearances from around the world.

For our purposes, however, we will concentrate on what I will call the dynamic portal; the opening that appears for a specific time then disappears. This blinking in and out indicates that the portal is in a state of flux, most likely due to dimension shifting or adjacent universe overlap. These portals can appear in many forms, the most common being a distortion of the area much like heat rising off the pavement on a hot summer day. Other portals may resemble a spinning cloud of mist, a shimmering curtain-like phenomenon, a near transparent sheet fluttering in the wind, or even a dark area. Activity around the portal is abnormally high in retrospect to the surrounding areas, due possibly to

the higher level of environmental anomalies or perhaps even the cause of those anomalies.

Many of these portals are incomplete, meaning they do not fully open between two dimensions or universes, but rather partially open, allowing information to flow back and forth, but limiting the type of information that can pass, much like a filter. For example, Electrical or magnetic waves may pass, but physical matter may not. More commonly, only what I call metaphysical matter may cross over. Metaphysical matter is a term I use to describe partial manifestations. Plasma, mist, fog, shadows, shimmering apparitions, all I consider to be metaphysical matter. While the phenomena observed is certainly not fully physical, it has enough substance to be visible, to move objects, and possibly make noise or have an audible voice.



Vortexes reported in the Sedona area may in fact be wormholes

Metaphysical Matter...

Portals tend to have a wide variety of appearances and colors associated with them. Since colors are the product of specific frequencies, I believe colors associated with portals are indicative of the dimension or universe, based on that universe's resonant frequency. While our own universe has a relatively low resonant frequency, other universes may resonate in the light spectrum or above. Maybe one day we will be able to associate a portal to its dimension or universe by this color coding. Nearly every color in the spectrum has been associated at

one time or another with a portal, so it is quite possible that there are infinite dimensions or universes out there, with infinite colors or combinations of colors associated with them.

Just as there is positive energy around these openings, there is also the negative energy potential. As stated above, a portal is a doorway, essentially with no regulations apparent. Something benign may filter through, or something heinous may materialize. It is always important to use extreme caution when working around or near a suspected portal. It is also possible that high potentials may exist, as well as dark matter or anti matter, which of course could result in a rather nasty annihilation, preferably not of the investigator. NOT a good place to stand around smoking a cigarette.



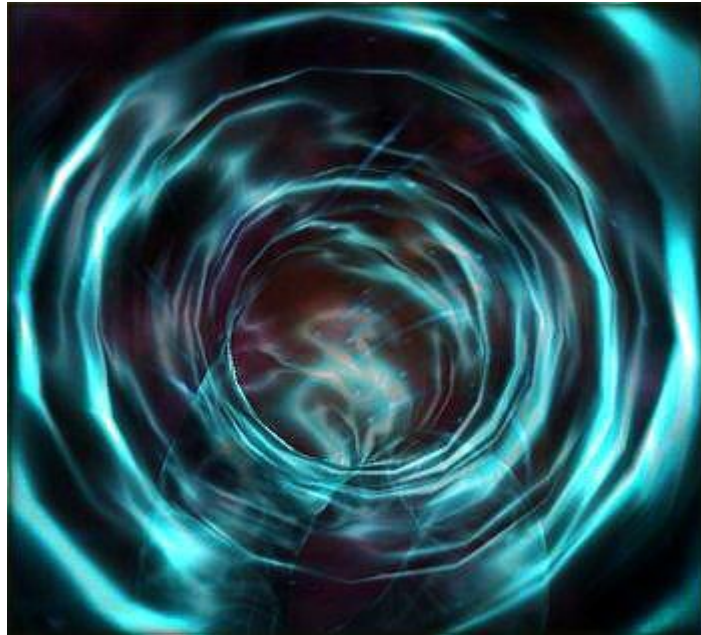
I postulate that a portal occurs when two or more dimensions or universes begin to overlap physically. What this means is, in the case for a dimensional overlap, two branes begin to merge, and instead of creating a big bang when they touch, they superimpose, at least in a limited spatial position. This is possible due to both brane frequencies being compatible, or sharing a harmonic frequency with each other, allowing them to partially resonate without a phase differential. When the resonance occurs, we may have a partial or in some rare occasions, a full opening between the worlds. While it may be rare for physical matter to pass through a partial opening, it may be possible for a human or animal to pass through a complete opening unscathed. This may explain cryptozoological creatures that appear and disappear seemingly at will.

If you suspect that you are dealing with a portal, use instrumentation to attempt to map out the size and shape of the opening. It may be possible to track it if it moves along at a level that is within reach so that you can measure any environmental fluctuations associated with it.

M-Theory and Superstring Theory supports the existence of other dimensions, as does Holographic theory and Frequency Theory (my own). Multiple universes have been proven mathematically in accordance with the Many World's Theory, or Multiverse Theory. It is not a question of if they exist, but where and when. Activity around such portals tends to be dynamic and unique to the portal.

When the portal involves parallel universes and not dimensions, it is called a worm hole.

Worm Holes



Time for a little physics lesson.

Trans-universal wormholes connect one universe with another. I believe it is possible to use an inter-universe wormhole to travel from one parallel universe to an adjacent one. A wormhole which connects (usually closed) universes is called a Schwarzschild wormhole. In string theory, a wormhole has been envisioned to connect two D-branes, where the mouths are attached to the branes and are connected by a flux tube. If a brane is in fact a universe, this would make perfect sense. Also wormholes are believed to be a part of space-time foam. There are two main types of wormholes: Lorentzian wormholes and Euclidean wormholes.

Lorentzian wormholes are a product of general relativity and semi-classical gravity, but Euclidean wormholes are studied in particle physics. Interestingly, traversable wormholes (a special kind of Lorentzian wormhole) could possibly allow a human to travel from one side of the wormhole to the other. It would certainly allow a cross transmission of EMF or other forms of pure energy.

Lorentzian wormholes are not excluded within the framework of general relativity, but the physical plausibility of their existence has remained elusive. It is also

unknown whether a theory of quantum gravity, merging general relativity with quantum mechanics, would still allow them, but I suspect they would. Most of the accepted solutions of general relativity which allow for traversable wormholes require the existence of exotic matter, a theoretical substance which would have to have a negative energy density. However, it has not been mathematically proven that this is an absolute requirement for traversable wormholes, nor has it been established that exotic matter cannot exist.



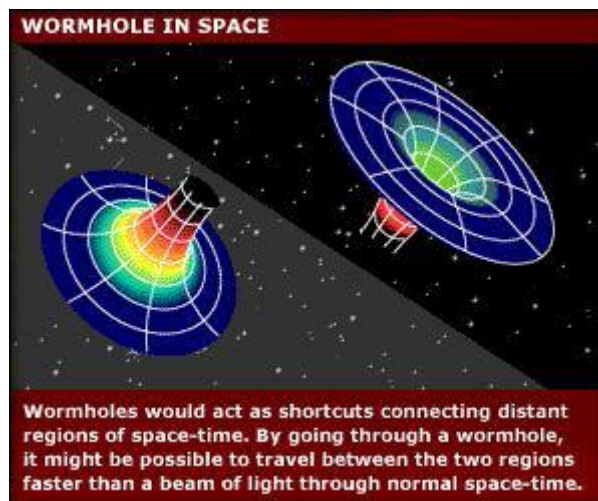
Exotic matter is a hypothetical concept of particle physics. It covers any material which violates one or more classical conditions or is not made of known baryonic particles. Such materials would possess qualities like negative mass or being repelled rather than attracted by gravity. The closest known real representative of exotic matter is a region of pseudo-negative pressure density produced by the Casimir effect. In physics, the Casimir effect and the Casimir-Polder force are physical forces arising from a quantized field. The typical example is of two uncharged metallic plates in a vacuum, placed a few micrometers apart, without any external electromagnetic field. In a classical description, the lack of an external field also means that there is no field between the plates, and no force would be measured between them. When this field is instead studied using quantum electrodynamics, it is seen that the plates do affect the virtual photons which constitute the field, and generate a net force by either an attraction or repulsion depending on the specific arrangement of the two plates. This force has been measured, and is a striking example of an effect purely due to second quantization.

I personally believe this to be a possible example of the Zero Point Energy Field.

The term is also casually attached to any material which is difficult to produce (such as metallic hydrogen or a Bose-Einstein condensate) or which exhibits unusual properties (such as fullerenes or nanotubes), even though these materials have been created and are relatively well understood. It can also refer to material composed of some form of exotic atom.

Although no particles are known to have negative mass, physicists (primarily Bondi and Robert L. Forward) have been able to describe some of the anticipated properties such particles may have. Assuming that all three concepts of mass are equivalent would produce a system where negative masses are attracted to positive masses, yet positive masses are repelled away from negative masses. As well, negative masses would produce an attractive force on one another, but would be repelled because of their negative inertial masses.

For a negative value of m_p with positive value of m_a , F is negative (repulsive). At first glance it would appear that a negative mass would accelerate away from a positive mass, but because such an object would also possess negative inertial mass it would accelerate in the opposite direction from F . Furthermore, it can be shown that if both masses are of equal but opposite mass, Bondi pointed out then the combined system of positive and negative particles will accelerate indefinitely without any additional input into the system.



This behavior is bizarre in that it is completely inconsistent with our 'normal universe' commonsense expected behavior from working with positive masses. Yet it is completely mathematically consistent and introduces no apparent contradictions when physics analysis is performed on the behaviors. First impressions may be that this arrangement violates conservation of momentum and/or energy, but in fact if the masses are equal in magnitude, one being of positive value and the other negative, then the momentum of the system is zero if they both travel together and accelerate together, no matter what

speed:

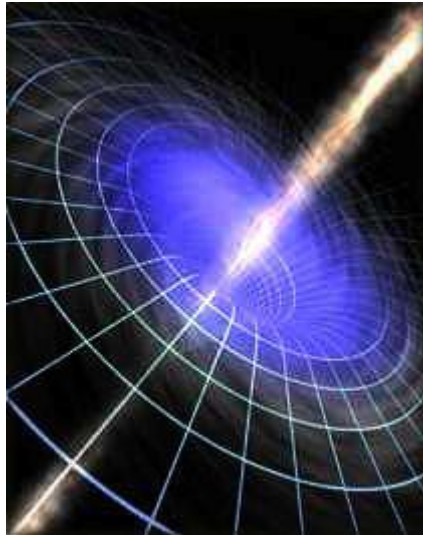
$$P_{\text{sys}} = (v \times m) + (v \times (-m))$$
$$P_{\text{sys}} = v \times (m + -m) = v \times 0 = 0$$

...and an equivalent equation can be calculated for K_e :

$$K_{e \text{ sys}} = (1/2 \times m \times v^2) + (1/2 \times (-m) \times v^2)$$
$$K_{e \text{ sys}} = (1/2 \times v^2) \times (m + -m) = (1/2 \times v^2) \times 0 = 0$$

Forward extended Bondi's analysis to additional cases, and showed that even if the two masses $m(-)$ and $m(+)$ are not the same, the equations remain still consistent.

Some of the behaviors this seems to introduce are as stated quite bizarre, such as a co-mingled positive matter gas and negative matter gas having the positive matter portion increase in temperature without bound. However, the negative matter portion gains negative temperature at the same rate, again balancing out. Geoffrey A. Landis pointed out other implications of Forward's analysis, including noting that although negative mass particles would repel each other gravitationally, for electrical forces, like charges would attract each other (in distinction to positive-mass particles, where like particles repel.) In effect, this means that for negative mass particles, gravitational and electrostatic forces would be switched.



Forward also coined a term, "nullification" to describe what happens when ordinary matter and negative matter meet; they are expected to be able to "cancel-out" or "nullify" each other's existence. If equal and opposite types of

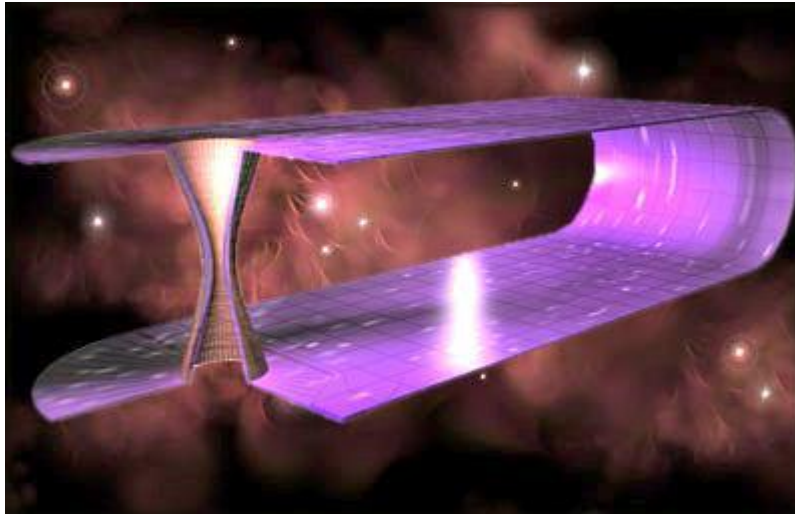
matter are involved, no energy would be left over. However, it is easy to show that some momentum would be left over (none is left over when they move in the same direction, as described above, but they have to move in opposite directions to be able to meet and mutually nullify). This can in turn explain why equal quantities of ordinary and negative matter don't spontaneously appear out of nowhere (the opposite of nullification): Momentum would not be conserved by that event, either.

Lorentzian wormholes known as Schwarzschild wormholes or Einstein-Rosen bridges are bridges between areas of space that can be modeled as vacuum solutions to the Einstein field equations by combining models of a black hole and a white hole. This solution was discovered by Albert Einstein and his colleague Nathan Rosen, who first published the result in 1935. However, in 1962 John A. Wheeler and Robert W. Fuller published a paper showing that this type of wormhole is unstable, and that it will pinch off instantly as soon as it forms, preventing even light from making it through.

One type of non-traversable wormhole metric is the Schwarzschild solution:

$$ds^2 = -c^2 \left(1 - \frac{2GM}{rc^2}\right) dt^2 + \frac{dr^2}{1 - \frac{2GM}{rc^2}} + r^2 (d\theta^2 + \sin^2 \theta d\phi^2)$$

While Schwarzschild wormholes are not traversable, their existence inspired Kip Thorne to imagine traversable wormholes created by holding the 'throat' of a Schwarzschild wormhole open with exotic matter (material that has negative mass/energy).



Theories of wormhole metrics describe the space-time geometry of a wormhole and serve as theoretical models for time travel. An example of a (traversable) wormhole metric is the following:

$$ds^2 = -c^2 dt^2 + dl^2 + (k^2 + l^2)(d\theta^2 + \sin^2 \theta d\Phi^2)$$

The bottom line here is that paranormal interactions may be the normal result of two universes rubbing together. Instead of getting a fire, we get ghostly phenomena. While it may be that there really is such a thing as ghosts, they may not be what we have led to believe from folklore. It may be that it is an inter-dimensional entity, a resident of a parallel universe, or even a version of us, from another reality parallel to our own. Imagine standing before a portal and having the fog clear enough for you to catch a glimpse of the other side, with your instruments at the ready, only to see yourself as if in a mirror, holding those same instruments and looking at you from beyond the veil.

In Quantum Mechanics we deal with probabilities, not possibilities. Everything is possible, but only a few things are probable in your lifetime. Discovering what a portal really is something I hope to answer in mine. Stay tuned for part 2.