

Portals, Vortices and Wormholes – The Experiments



The Experiments

After assembling the above device, I had a very unusual thing occur while I was in Williamsburg, Va. Labor Day weekend. I was in a house built in 1690, deployed my instrumentation in an effort to find proof of a potential worm hole phenomena associated with paranormal phenomena when a pewter salt shaker (kind of heavy) slide across a table by itself. I had a very high EMF modulating between 6 Hz and 9 Hz and appeared to be generated from approximately two feet off the floor about two feet ENE of the center of the room, based on triangulation readings from the three detection coils deployed. This spontaneous EMF just materialized in thin air with no apparent source. Ion count, both positive and negative increased dramatically over 500%. Gamma radiation levels rose from non-existent to about 350 mRADS/Hr.

Now here is what that translates into with physics....Special thanks to Tony Bermanseder!

350 mrad=3.5 milliJoules for $N \cdot f = E/h \sim 5.25 \times 10^{30}$ Hz

Now fine-structure this 'frequency-energy' equivalent into the measured gamma frequencies, say the basis ZPE (Zero Point Energy)-electron/positron frequency of 2.5×10^{20} Hz. The observed energy is equal to so 20 billion electron-positron annihilations. Since the 'telekinetic' movement has no external energy input as source the energy supplied derives from the ZPE as stated.

The positional calibrations are varied, as holofractal magnification/diminution can apply on many scales. One very important boundary condition is the Schumann Harmonics. The perimeter of the earth is 40,000 km as a light path on the surface and has a Schumann basis of 7.5 Hz ($300,000,000 \text{ km/s} / 40,000 \text{ km}$). Consequently, at this frequency, otherwise 'obscured' phenomena will occur.

This frequency also allows the light-matter interaction (characterized in the probability of the electromagnetic alpha fine-structure constant as 1 in 137) to maximize. Another important calibration parameter is the 'size' of the 'merkabah', being the $\sqrt{15}$ as wavelength for a frequency of 77.46 MHz. This 'merkabah' frequency then is in harmonic to the Schumann frequency in $1:10^7$. The Schumann frequency so has a minimum at 7.5; but many other resonances and harmonics.

So called 'paranormal' phenomena depend on a given region of space-time to become temporarily 'isolated' to partake in the holofractal nature of the universe. What I have observed, so represents such an isolation, most likely having become 'induced' by either some 'emotional, say suppressed' energy. After discussing this with several physicists, the only other explanation we could come up with is possibly sourced from an ultra-low frequency transmitter at least 2 million kilometers from the center of the earth.

The Force required for the movement witnessed derives as follows:

$$F = dp/dt = d(mv)/dt = m dv/dt + v dm/dt$$

$$\text{Use } m = m_0 \Gamma = (hf/c^2) / \sqrt{1 - [v/c]^2} = (hf/c^2) / \sqrt{u} = (hf/c^2) \cdot f(u, v, t)$$

$$dm/dt = (dm/du)(du/dt) \text{ and where } u(v) = 1 - [v/c]^2 \text{ for } du/dv = -2v/c^2$$

$$dm/dt = \{(hf/c^2)(-1/2)\Gamma^3\}(-2v/c^2)dv/dt$$

$$F = \{dv/dt\}(m + [hfv^2/c^4]\Gamma^3) \text{ as the relativistic extension of Newton's Law.}$$

The first part applies to a constancy in mass m and the second engages special relativity. However this assumes that the frequency f remains constant as photonic inertia $f = mc^2/h$.

Then allowing the frequency f to vary:

$$F = dp/dt = d(hfv/c^2 \Gamma)/dt = (h/c^2) \{f \cdot d[v\Gamma]/dt + v\Gamma \cdot df/dt\}$$

$$F = (h/c^2) \{f \cdot (v^2/c^2 + 1 - v^2/c^2) \Gamma^3 \cdot dv/dt + v\Gamma \cdot df/dt\}$$

$$F = (h/c^2) \{f\Gamma^3 \cdot dv/dt + v\Gamma \cdot df/dt\}$$

$$F = m\Gamma^3 \cdot dv/dt + (h\nu/c^2) \cdot \Gamma \cdot df/dt$$

F = Standard Acceleration Force + Quantum Alpha-Force; the latter normally 'occultized' due to the minuteness of the multiplier ($h/c^2 \sim 10^{-50}$).

The resonance or wormhole time differential for frequency is the entropy counter 9×10^{60} as the square of the source frequency (of the wormhole).

In plain English, there is a very good chance I discovered an interdimensional wormhole.

I also know from personal experience, that the manifestation of a 4th spatial dimension superimposes onto the ordinary Minkowski metric. As said, the requirement for such a dimensional intersection (3D+T with 4D+T) is the encapsulation of a region of space.

This region is quantized in the following manner:

$$\text{VolumexAngular Acceleration } (df/dt) = N \times \text{Universal Constant} = N \times \text{Electron-Diameter} \times c^2$$

$$V_3 = 2\pi^2 R^3 \text{ as } dV_4/dR \text{ for } V_4 = \pi^2 R^4/2$$

Then the normal hyperspace vector is: $R/4$ related to the Planck-Area quantization of Black Holes (The surface area of a BH is quantized in Planck-Areas/4 as entropy count).

It is now possible to calculate the maximum resonance state for maximum entropy $df/dt = f_{\text{max}}^2$ and which crystallizes the wormhole boundary, i.e. the Black Hole's Inner Event Horizon and amenable to both activation as a sourced White Hole or a Sinked Black Hole.

For $N=1$ then; $V = 500/9 \times 10^{60} = 5.555 \times 10^{-59}$ cubic meters (or 'quarto' meters in V_4)

For V_3 : $R_3 = 1.41 \times 10^{-20}$ meters as Compton-Radius with energy 14.03 TeV (yes this is the maximum energy for the LHC at Geneva, thus designed)

For V_4 : $R_4=1.832 \times 10^{-15}$ meters and a 'reduced' energy of frequency 2.6×10^{22} Hz or 0.11 GeV.

Recalling that the calculations above invoke the maximum resonance state it nevertheless becomes apparent, that the practical utility of wormholes should engage the muon-mass (about 106 MeV), which then becomes coupled to the base-pionic quark-antiquark associations either charged (pion $^+$ ~140MeV) or neutral (pion 0 ~135 MeV).

Now the truly exciting thing about this is it throws open a new physics, because of the manner the quantum geometry (or blueprints) arrange the wave-functions of the quarks, coupled to leptonic rings.

The muon is a 'heavy' electron, due to the fact, that the up-down coupling is energy wise insufficient to transverse the nucleon diameter (about 5 fermi as an electron probability distribution and about 3 fermi as the size of a proton).

So forming resonance states of the up-quark as a charm quark and a resonance state for the down quark as a strange quark, will increase this energy to the required levels.

Detailed analysis then reveals how the unitary SU(3) symmetry of the standard model 'falls into place' as emergence of the quark-lepton family couplings.

There is a conundrum in regards to the wormhole utility however.

Quantum mechanics is precisely applicable and useful at the (3 fermi) scale of the classical electron radius, say in QED. At larger scales, the quantum field theories come into play and with it the 'classical electron' is rendered as a 'point particle' with the associated difficulties of renormalization and finitization of working parameters, such as position and momentum.

Now in the calculation above, the 'muonic electron' requires a frequency of so 2.6×10^{22} Hz for a 4-Radius vector of 1.8×10^{-15} meters (2/3rds of the electron radius).

Therefore the requirement becomes a change in the frequency of the 'muonic electron' to accommodate a 'matching' of the frequency upon a quantized holofractal background.

Also in the case above, decreasing the muonic electron frequency by a factor of 1.51 would attain this harmonization between the 3-dimensional electron limit and its 4-dimensional extension. Then a frequency of 1.72×10^{22} Hz would be able to 'tap' into the matrix-background defined 'classical electron radius' also at that frequency Eigenstate.

But most important, the 4th spatial (Kaluza-Klein) dimension of the hyperspace must become congruent with the 3rd spatial Riemann dimension for the 'phenomena' to manifest.

This physics is wormhole physics only in its fundamentals; what I term wormholes opening up and closing is the dimensional intersection of the Kaluza-Klein 5D with the Minkowski 4D. While I am fond of parallel universes, I realize they are not necessarily a requirement, and now consider the hyperspace intersecting the Minkowski space.

While multiverses are a physical reality, they remain 'frozen' until the Minkowski metric naturally 'opens' up the 4-radius as described in the above. Once this occurs, all of the spacetime presently embedded in an 11-dimensional 'Strominger Matrix' of extremal Black Hole Equivalence becomes 5-dimensional, with the 'opening of wormholes' as portals and conduits into outer space and 'higher dimensions' becoming 'common place'. Hence the wormhole is a dimension in and of itself creating a connecting web that allows for entanglement to be possible. The c-invariance will hold, however due to the 4-Radius and the volumar quantization indicated above, the 'tyranny of the metric', will become infused by a 'easement of the de Broglie phase changes' with 'Velocity' as the light path/time also becoming a scale factor $R(n)$ multiplied by frequency modulators $\{V=R(n)F\}$.

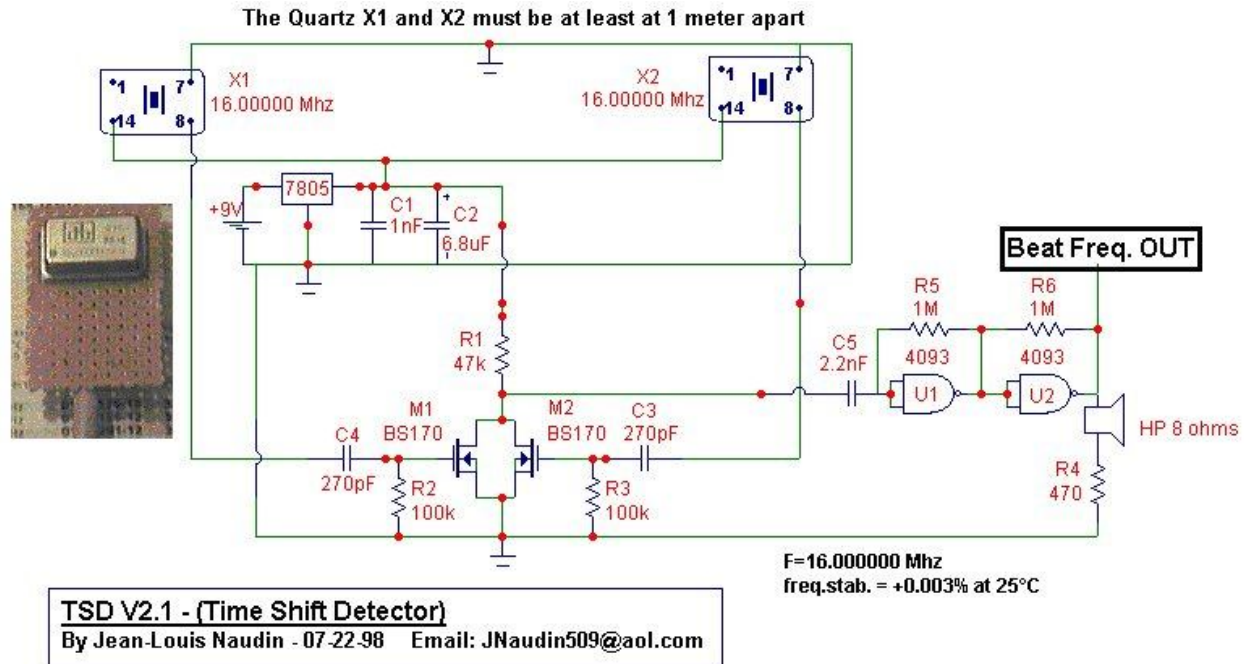
So did I really experience the manifestation of a worm hole?

This was indeed an isolated singularity. One case does not fundamentally prove anything, other than to increase certain probabilities. But I was quite excited over the fact that the answer to the source of paranormal phenomena may literally be at my fingertips! Consequently, a repeat experiment had to be arranged. So over the Christmas holiday, I returned to Virginia, and with some modification of the equipment and the addition of other devices, some borrowed as I had lent some equipment to a team member for use on an investigation, and I attempted to set up similar conditions in hopes of getting a repeat performance.

I was not disappointed.

This time, there was not a telekinetic event such as the pewter salt shaker. This time a cold spot appeared and moved about the room, in conjunction with several EVPs. However, new phenomena and associated data was recorded. The event began with the appearance of a low frequency standing wave of brief duration. An EMF wave of 7.4 Hz appeared for approximately 1 second at an amplitude of 120 dB. The standing wave then began to vary from 7.4 to 2.5 Hz, but the amplitude remained constant. Additionally, Gamma radiation was observed from four radiation detectors placed around the room (232 mRAD/hr, 328 mRAD/hr, 292 mRAD/hr and 392 mRAD/hr respectively), and there was a time shift

observed, causing the beat frequency of the Time Shift detector to decrease from 700 Hertz to 492 Hertz and hold there.



Time Shift Detector designed by Jean-Louis Naudin

Boom, the cold spot entered the room. The blob of cold was measured at 41 degrees F., while the ambient temperature readings were consistently 74 degrees F. The Blob of Cold was not stationary, but rather moved about, changing direction several times (five in all). No air currents were measured in the room, and while cold air was seeping in from outside, the temperature differentials were confined to near the windows and doors. Some convection currents were present, but again these were caused by the heating system, which was on. Ion counts dramatically increased at the beginning of the event, using the Alpha Lab Air Ion Counter, from 345 positive ions/cm³ to 4100 ions/cm³, and Negative Ions increased from 635 ions/cm³ to off scale. The air actually felt charged.

Static energy increased from -635 volts to +800 volts, and the ion counter fluctuated for the duration of the event, but always higher than the original base readings. There was no significant RF present, and EMF present was ranging in Alpha Wave Territory through the audio spectrum. Two video cameras were used, and they went dark at the onset of the phenomena, and recorded darkness for the duration of the event, which lasted 4 minutes and 33 seconds. Post event analysis showed both cameras to be fully functional. The standing wave may have knocked them out. Barometric pressure dropped from 29.8 inches of Mercury to 29.1 Inches of Mercury, Relative Humidity remained constant, and a brief Ultraviolet burst was recorded.

At the conclusion of the event, the cold spot vanished, there was an audible pop, and the environmental readings briefly went off scale, a burst of Gamma Radiation was recorded, (390 mRADs/hr) and the readings stabilized at pre-event levels.

It was over in less than five minutes!

So, what did I encounter? The Analytical responses were discussed in two different yahoo groups that deal with theoretical physics. Below are excerpts from these conversations.

From Tony Bermanseder

What can I comment upon in your report above?

First of all, your 7.5 Hz Standing Wave is the basic Schumann resonance as the 'auric' envelope of planet earth itself. It takes a light pulse $2/15=1/7.5$ seconds to travel the perimeter of 40,000 km of the earth as a 'great geodesic circle'.

The amplitude of 120 dB remained constant, meaning your power input and output remained constant in the frequency modulation from 7.4 Hz to 2.5 Hz in $7.4/2.5=2.96$.

This factor of 3 so shows you that the Earth frequency modulated in allowing the ZPE to manifest this factor from the 'earth higherD field' as the 'cold blob'.

Your 700Hz/492Hz ratio then is about half this factor in 1.4, which perhaps (I am by no means very familiar with electronic engineering) implies a rms $Srt(2)$ averaging of the Schumann resonance coupled to the ZPE at say 5.3 Hz ($7.5/Sqrt(2)$) and as the arithmetic mean is $9.9/2=4.95$ and the geometric mean is 4.3 between your two frequency bounds.

Secondly, the T-drop was $74-41=33$ degree F or $23.33-5=18.33$ degree C 18.33 Kelvin imply a boson eigenstate of so $1/622$ eV or $1/32$ of the neutrino background ZPE induction of 0.052 eV {A thermal neutron has half this energy moving at standard speed of 2200 m/s= $Sqrt(2kT/m)$ at 20 degrees C (293K) in equilibrium}.

This so (and I am speculating here) then allows an intrinsic neutrino background (0.052 eV) of the universe (proven at Super-Kamiokande in June 1998) to allow a quasi-MASSINDUCTION in energy to 'energize' this 'cold spot'.

To be more precise; the 0.052 eV becomes the mesonic ring quark-gluon coupling as the difference in energy level at the 3 eV energy selfstate, say $3+0.026=3.026$ and $3-0.026=2.974$ (eV).

In elementary physics then, your cold spot becomes a ZPE energization from the cosmic intrinsic neutrino background as has as such little to do with wormholes.

The gamma emission is, as it must be, the pair-annihilation energy of a then say neutrino-antineutrino VPE as the experimentally confirmed muon-tau neutrino oscillation of $2 \times$ neutron equilibrium energy=neutrino energy. $0.052 \text{ eV}/0.0016 \text{ eV} \sim 32.5$ and this should mirror the change in your measurement parameters.

Your positive ion ratio was about 12 overpowered by the negative ion ratio and your voltages changed in $|-635|+800=1435$ magnitude for the 'charging'. If you identify say a standard neutron beta minus decay as a this 'change in ion counts', then the charge neutral antineutrino could account for the KE as the manifested ZPE and the accompanying parameter changes.

So if one beta minus decay allows 0.052 eV to manifest as a 'pure ZPE'; then a thermal neutron diffusing in equilibrium as average KE $(3/2)kT \sim 2.8 \times 10^{-21} \text{ J}$ or 0.017 eV and most probable KE of 0.006 eV for 300 K at so $2,200 \text{ m/s.}$; then the $E=kT$ is about $4 \times 10^{-21} \text{ J}$ or about 0.026 eV .

In first principles then it is a DOUBLE- or DINEUTRON beta-minus decay (supersymmetrically bosonic in higherD say), which 'taps' the ZPE to allow the quasi-pairproduction NOT as matter-antimatter manifesto, but as neutrinoantineutrino manifesto based on the Higgs-Neutroni energy induction as a gauge.

-Tony-

This is somewhat what I concluded as well, but the question remains, what triggered the event...

-David-

Your consciousness and efforts coupled to the physicality of 'volume' in which the experiment took place.

Intent CAN influence experiment - as you surely know from half a century of paranormal research.

-Tony-

Wonderful. So I compromised my own experiment?

-David-

No, because the 'energy of intent', whilst ZPE only triggers the energy exchange, it does not add to it - in the standard lowerD physics of the conservation laws.

low, the energy transformations, say in thermal neutrons interacting with the 'air' can be described conventionally, but the trigger is higherD in yet another energy exchange between the higher Ds.

-Tony-

This may be a parallel to the observer effect in QM in which field collapse is caused by the observer, but in this case, the power of intention, first pioneered at Princeton in the department of Physics (Princeton Engineering Anomalies Research LAB) by Dr. Robert Jahn, and further experimented with by Lynne McTaggart, may be a factor in the findings? This rather complicates objective experimentation then doesn't it?

-David-

Another offering from another group was thus:

“Presuming that no part of any exotic ‘dark matter’ has anything to do with the bio-realm seems unwarranted, in view of so many theoretical and experimental work including a recent claim that certain type of axions has been detected. A class of Bio-axions may yield axion chemistry akin to SUSY chemistry. This will involve ordinary chemical principles as duet, octet configurations, force carrier particles, spin and Pauli Exclusion Principle. The brain is then a many-particle system of neurons permeated by their bio axion counterparts at an energy level relevant to mental activity which is co-produced by the visible brain and its invisible axion counterpart. It is likely that the entire visible body of an organism and its constituent’s parts down to cellular levels may be coupled to and supervened by corresponding dark matter components. A differential distribution of the dark particles in plants, animals and humans, and their weak interactions with ordinary matter seems to have experimental support in the differential biophoton emission rates across the taxa. The predicted ratio of these rates between plants and humans agrees with the reported experimental value.

Decoupling of the dark body from the visible body may leave it at a very low energy state, perhaps negative ($-E = mC^2$). Though ‘ghost’ phenomena may therefore be unlikely unless this energy is acquired, paranormal phenomena such as ‘channeling’ in living humans may be possible by alien ‘dark matter beings’ who are already at a higher energy state.

Dark matter with its possible dark chemistry gives a new twist to the term ‘nonmaterialistic’ as applied to the bio-realm. Materialism as a philosophical system developed by the Greeks was defined and designed in the framework of the phenomena of ordinary matter which was considered eternal requiring no Creator, and some power intrinsic to matter makes it come alive. In Aristotelian physics, ‘form’ and matter are perpetually paired and the archetypical examples of forms are ‘substances’. Matter and form are the “causes” of whatever exists.

Aristotle defined four kinds of causes, all relating to things not events: 1) material cause is what a thing consists of. 2) Formal cause relates to what the thing essentially is. 3) Efficient cause brings the thing into being. 4) Final cause is the function and purpose of the thing. The prime matter is the “stuff” with no particular form. Any form without matter is god. The matter/form distinction is related to that between potentiality (dunamis) and actuality (entelecheia) or

energeia). Quantum mechanics identifies this potentiality with superposition of matter-waves and actuality as the reduction of the superposed wave forms to a specific value determined by the measurement technique. Forms are continuous, but discreteness is the law of nature. There is no smooth gradual change from nothingness to 'thingness', or from dead to living matter or from nonconsciousness to consciousness or from animal instincts to human insights.

Discrete entities such as particles, atoms, molecules, cells, forces etc do not add themselves up into an integrated whole of spontaneous sentience or sapience. The non-electromagnetic 'dark matter' is less mysterious and more substantial than the forms. It gives substance to what Aristotle intuitively figured out as 'form'.

-P.B.-

And a reply:

The axion is the RMP David. It supersymmetrizes the strong interaction as the fifth gauge interaction and solves the CP-symmetry 'violation' in QCD.

The RestMassPhoton (my label) is the vector Goldstone Boson as the precursor for the scalar (spinless) Higgs Boson template. It is always left-handed and so couples to right-handed gluons and the suppressed antiphoton.

The axion is massless, the inertia effect being the 'consciousness photonic quasimass' say as a neutrino energy.

It so links to your EMF produced NOT from prior mass coupling (such as fusion protons accelerating producing EMR), but from the ZPE field without medium (space itself in free space impedance is superconductive $2ef=dq/dt$ with electron inertia flow in normal current $dq/dt=i$ replaced by $2ef$ with charge quantum e now a coefficient for frequency function $f(t=N.2ef)$.

-Tony-

So in the end, there is not enough data to reach a conclusion. Additional controls will need to be developed to determine if there is indeed an observer effect, or if we are actually encountering evidence of a real and valid wormhole phenomena. The work continues.